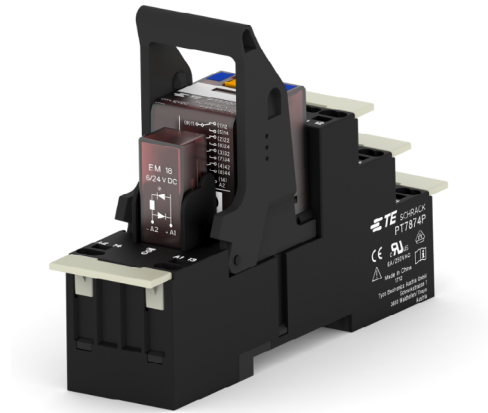


ACCESSORIES MINIATURE RELAY PT

GENERAL PURPOSE RELAYS

FEATURES

- Easy replacement of relays on a densely packed DIN rail
- No reduction of protection class or creepage/clearance with plastic retainer
- Plug-in indicator- and protection modules
- Retainer clip with ejection function for relays of 29 mm height



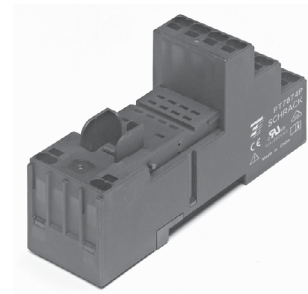
PREMIUM SOCKET WITH SCREWLESS TERMINALS FOR DIN RAIL MOUNTING

PT7874P Premium socket, logical terminal arrangement, 4 pole

PT7872P Premium socket, logical terminal arrangement, 2 pole

FEATURES

- PT 2/4 pole 12/6 A
- Screwless Clamps
- Mounting of solid wires without tool
- Double Clamps per terminal
- Jumper links for interconnection
- Logical terminal arrangement

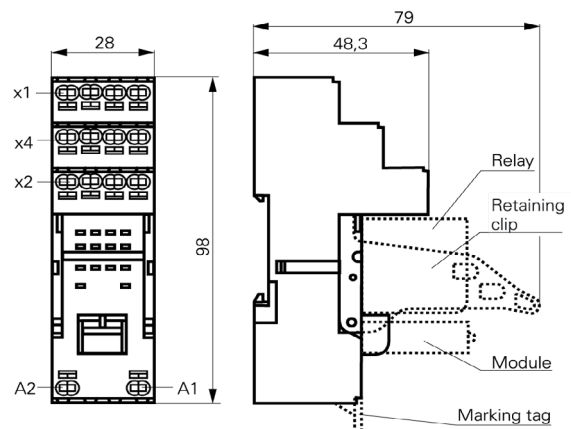


APPROVALS

- VDE Cert. No. 40009108
- cULus E135149



Technical data of approved types on request



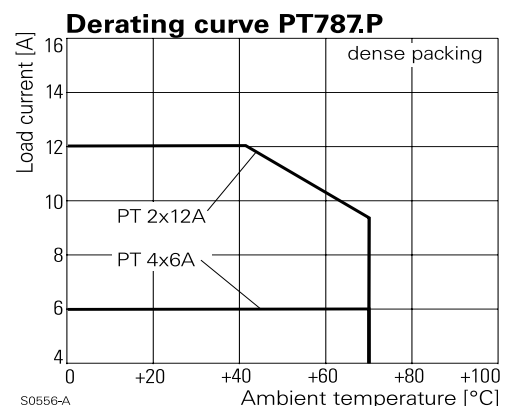
Accessories Miniature Relay PT

General Purpose Relays

TECHNICAL DATA

	2-pole	4-pole
Rated voltage/Max. switching voltage AC	240/400VAC	240 VAC
Rated current	12 A	6 A
Limiting continuous current	see derating curve	
Dielectric strength		
coil contact circuit	2500 V _{rms}	2500 V _{rms}
open contact circuit	1200 V _{rms}	1200 V _{rms}
adjacent contact circuits	2500 V _{rms}	2000 V _{rms}
Clearance / creepage		
coil contact circuit	≥ 4/4 mm	≥ 4/4 mm
adjacent contact circuits	≥ 3.5/9.5 mm	≥ 1.8/3.5 mm
Material group of insulation parts	IIIa	
Flammability class UL 94	V-0	
Insulation to IEC 60664-1		
Type of insulation coil-contact circuit	basic	
open contact circuit	functional	
adjacent contact circuits	basic	
Rated insulation voltage	250 V	
Pollution degree	2 ¹⁾	
Rated voltage system	230 / 400 V	
Over voltage category	III	
Material compliance:	EU RoHS/ELV, China RoHS, REACH, Halogen content refer to the Product Compliance Support Center at www.te.com/customer-support/rohssupportcenter	
Ambient temperature range		
for mounting/handling	-25...+70 °C	
in operation	-40...+70 °C	
Terminals	Terminals screwless	
Wire strip length	12 mm	

	2-pole	4-pole
Wire cross section		
solid wire	1x0.75/1/1.5mm ² 2x0.75/1mm ²	
with stand. isolation (no oversize isolation)	2x1.5mm ²	
stranded wire		
without bootlace crimp	1x0.75/1/1.5mm ² 2x0.75/1mm ²	
without bootlace crimp with stand. isolation	2x1.5mm ²	
with bootlace crimp	1x0.75/1mm ² 2x0.75mm ²	
with bootlace crimp without isolation or min 18 mm long	1x1.5mm ²	
For stranded wires with braids 0.05 mm or smaller the use of bootlace crimps is recommended. When using stranded wires without bootlace crimp the clamp must be opened during insertion.		
Insertion cycles	A (10)	
Max. Insertion Force total	100 N	
Mounting distance	≥ 0, dense packing	
Weight	44 g	60 g
Packaging unit	10 pcs	

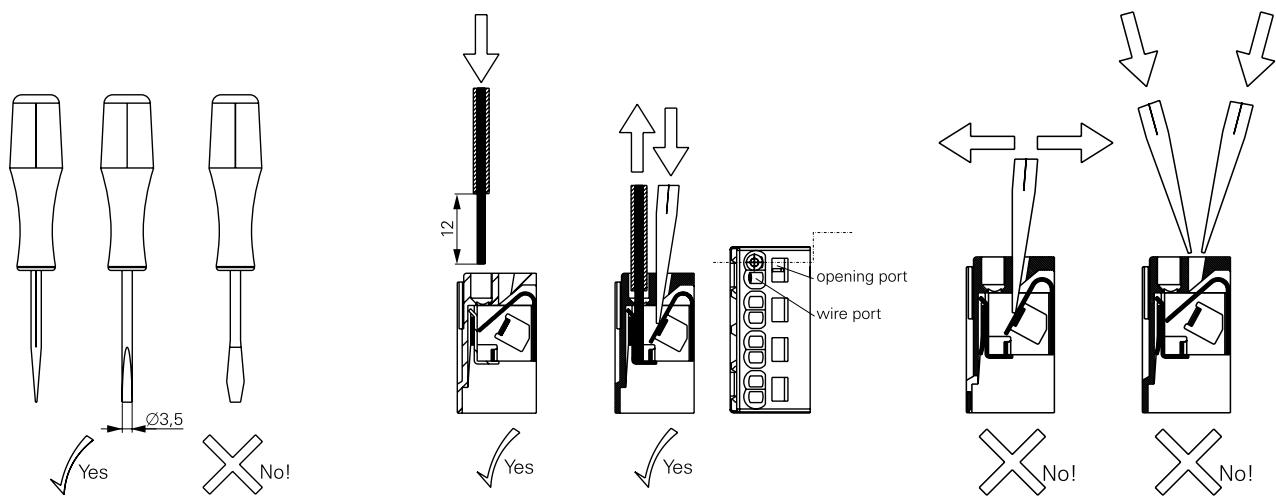


1) with inserted relay pollution degree 1 in region of contact pins / socket inlets.

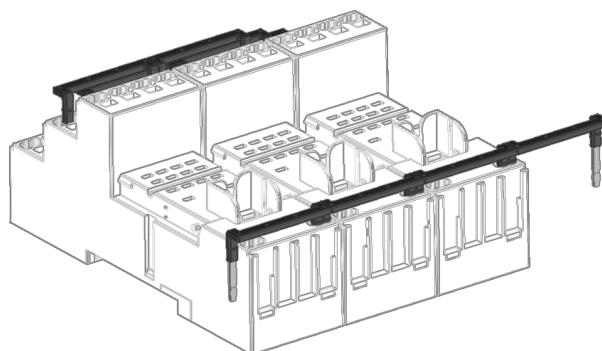
Accessories Miniature Relay PT

General Purpose Relays

HOW TO USE, PRECAUTIONS



JUMPER LINK



When connecting more than 2 poles with staggered jumper bars the lower bars need to be stripped and shortened to an appropriate length to enable correct fitting.

SOCKET WITH SCREWLESS TERMINALS FOR DIN RAIL MOUNTING

Type	Description	Part Number
PT7872P	Premium socket, logical terminal arrangement Socket with screwless terminals 2 pole	1860100-1
PT7874P	Premium socket, logical terminal arrangement Socket with screwless terminals 4 pole	1860000-1

ACCESSORIES FOR PT7872P, PT7874P

Type	Description	Part Number
PT17021	Plastic retaining clip, relay height 29 mm	2-1415526-1
PT28800	Metal retaining clip PT, relay height 29 mm	5-1419111-9
PT17040	Marking tag	6-1415037-1
PT170P1	Jumper link, max load 12 A	1860214-1

Accessories Miniature Relay PT

General Purpose Relays

DIN-RAIL SOCKET WITH SCREW TYPE TERMINALS

PT78722/PT78742

FEATURES

- Socket with logical arrangement of control/load terminals
- High quality rising clamp terminals
- Captive combination terminal screws
- Second A2 for easier looping
- Jumper bars for interconnection



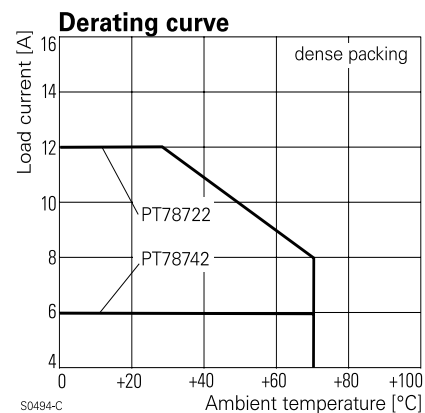
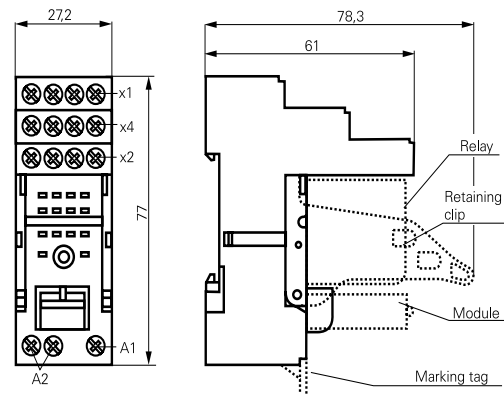
APPROVALS

- VDE Cert. No. 40009108
- cULus E135149



TECHNICAL DATA

	2-pole	4-pole
Rated voltage/Max. switching voltage AC	240/400VAC	240 VAC
Rated current	12 A	6 A
Limiting continuous current	see derating curve	
Dielectric strength		
coil contact circuit	2500 V _{rms}	2500 V _{rms}
open contact circuit	1200 V _{rms}	1200 V _{rms}
adjacent contact circuits	2500 V _{rms}	2000 V _{rms}
Clearance / creepage		
coil contact circuit	≥ 4/4 mm	≥ 4/4 mm
adjacent contact circuits	≥ 3.5/9.5 mm	≥ 1.8/3.5 mm
Material group of insulation parts	IIIa	
Flammability class UL 94	V-0	
Insulation to IEC 60664-1		
Type of insulation coil-contact circuit	basic	
open contact circuit	functional	
adjacent contact circuits	basic	



1) with inserted relay pollution degree 1 in region of contact pin/socket inlets

Accessories Miniature Relay PT

General Purpose Relays

TECHNICAL DATA

	2-pole	4-pole
Rated insulation voltage	250 V	
Pollution degree	2 ¹⁾	
Rated voltage system	230 / 400 V	
Over voltage category	III	
Material compliance:	EU RoHS/ELV, China RoHS, REACH, Halogen content refer to the Product Compliance Support Center at www.te.com/customersupport/rohssupportcenter	
Ambient temperature range	-40...+70 °C	
Terminals	screw	
Terminals screw torque acc. IEC 61984 max	0.5 Nm 0.7 Nm	
Terminal Screw size	M3	
Wire strip length	8 mm	
Wire cross section		
single wire	2 x 2.5 mm ²	
fine wire	2 x 2.5 mm ²	
with bootlace crimp (DIN 46228/1)	2 x 1.5 mm ²	
Insertion cycles	A (10)	
Max. Insertion Force total	100 N	
Mounting distance	≥ 0, dense packing	
Weight	44 g	60 g

DIN-RAIL SOCKET WITH SCREW TYPE TERMINALS, IN/OUT ARRANGEMENT

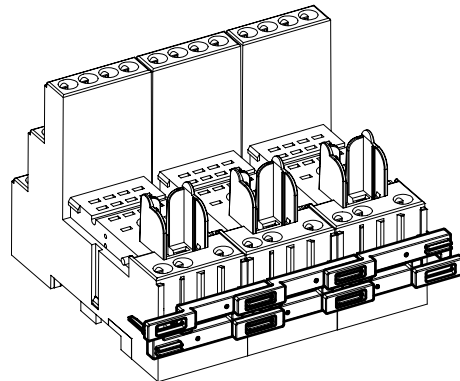
Type	Description	Part Number
PT7872P	DIN-rail socket with screw type terminals, In/Out arrangement 2 pole	1415526-1
PT7874P	DIN-rail socket with screw type terminals, In/Out arrangement 4 pole	1-1415526-1

ACCESSORIES

FOR PT78722, PT78742

Type	Description	Part Number
PT17021	Plastic retaining clip, relay height 29 mm	2-1415526-1
PT28800	Metal retaining clip PT, relay height 29 mm	5-1419111-9
PT17040	Marking tag	6-1415037-1
PT170R6	Jumper bar, max load 12A for connection of up to 6 PT sockets	1860517-5

JUMPER BAR



Accessories Miniature Relay PT

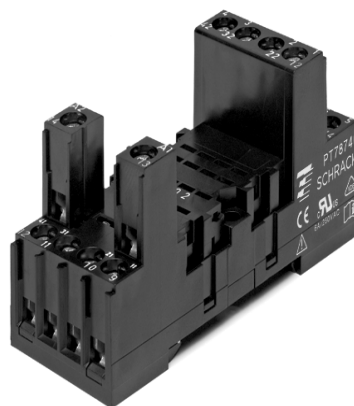
General Purpose Relays

PT DIN-RAIL SOCKET WITH SCREW TYPE TERMINALS

PT78720/730/740/741

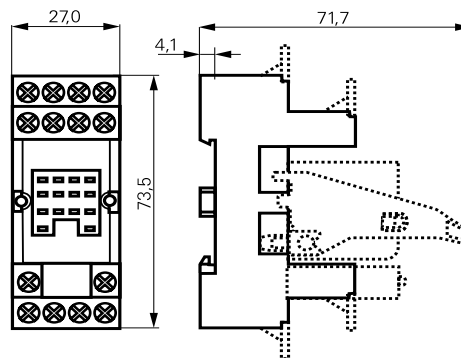
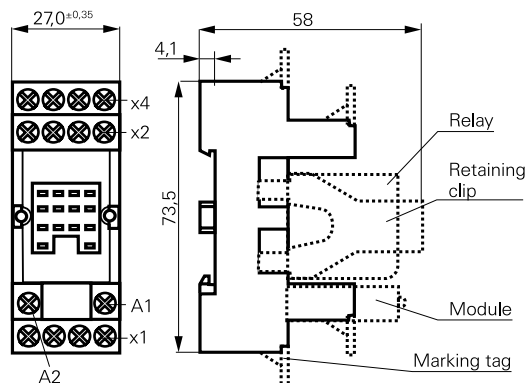
APPROVALS

- VDE Cert. No. 40009108,
- cULus E135149



TECHNICAL DATA

	2-pole	3-pole	4-pole
Rated voltage/Max. switching voltage AC	240/400VAC	240 VAC	-
Rated current	12 A	10 A	6 A
Limiting continuous current	see derating curve		
Dielectric strength			
coil-contact circuit	2500 V _{rms}	2500 V _{rms}	2500 V _{rms}
open contact circuit	1200 V _{rms}	1200 V _{rms}	1200 V _{rms}
adjacent contact circuits	2500 V _{rms}	2500 V _{rms}	2000 V _{rms}
Clearance / creepage			
coil-contact circuit	≥ 4/4 mm	≥ 4/4 mm	≥ 4/4 mm
adjacent contact circuits	≥ 3.5/9.5 mm	≥ 2.6/3.5 mm	≥ 1.8/3.5 mm
Material group of insulation parts	IIIa		
Flammability class UL 94	V-0		
Insulation to IEC 60664-1			
Type of insulation coil-contact circuit	Basic	Basic	Basic
open contact circuit	Functional	Functional	Functional
adjacent contact circuits	Basic	Basic	Functional



Accessories Miniature Relay PT

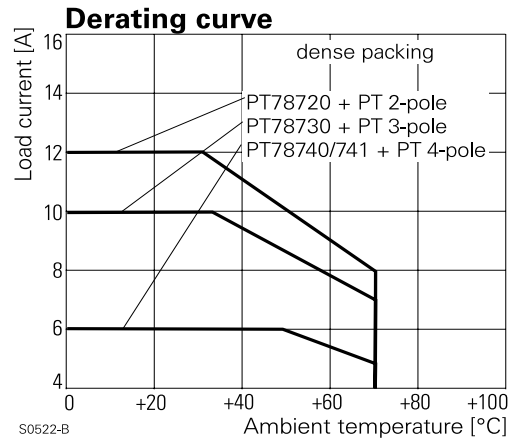
General Purpose Relays

TECHNICAL DATA

	2-pole	3-pole	4-pole
Rated insulation voltage	250 V		
Pollution degree	2		
Rated voltage system	230 / 400 V		
Overvoltage category	III		
Material compliance	EU RoHS/ELV, China RoHS, REACH, Halogen content refer to the Product Compliance Support Center at www.te.com/customer-support/rohssupportcenter		
Ambient temperature range	-40...+70 °C		
Terminals	screw		
Terminal screw torque acc. IEC 61984 max.	0.5 Nm 0.7 Nm		
Terminal Screw size	M3		
Wire strip length	8 mm		
Wire cross section			
single wire	2 x 2.5 mm ²		
fine wire	2 x 2.5 mm ²		
with bootlace crimp (DIN 46228/1)	2 x 1.5 mm ²		
Insertion cycles	A (10)		
Max. Insertion Force total	100 N		
Mounting distance	≥ 0, dense packing		
Weight	41 g	48 g	55 g
Packaging unit	10 pcs		

DIN-RAIL SOCKET WITH SCREW TYPE TERMINALS

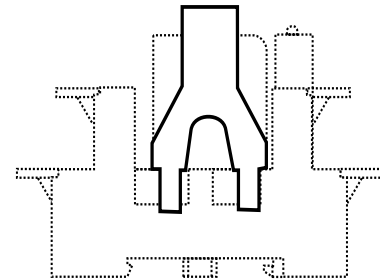
Type	Description	Part Number
PT78720	DIN-rail socket with screw type terminals, 2 pole	6-1415034-1
PT78730	DIN-rail socket with screw type terminals, 3 pole	9-1415071-1
PT78740	DIN-rail socket with screw type terminals, 4 pole	4-1415033-1
PT78741	DIN-rail socket with screw type terminals, 4 pole, package with protection diode module A1+, A2-	5-1415034-1



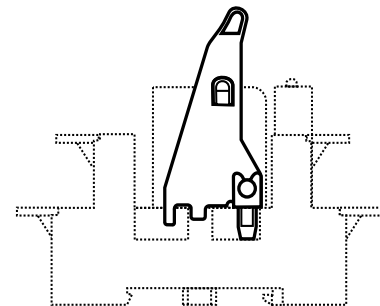
MARKING TAGS

- White marking area 28 x 6 mm
- Snaps on socket in up to 4 positions

PT17 016



PT17 024



ACCESSORIES

FOR PT78720, PT78730, PT78740, PT78741

Type	Description	Part Number
PT17016	Plastic retaining clip PT, relay height 29 mm	5-1415037-1
PT17024	Plastic retaining clip PT with ejecting func., relay height 29 mm	1816124-1
PT28800	Metal retaining clip PT, relay height 29 mm	5-1419111-9
PT17040	Marking tag	6-1415037-1
PT170R6	Jumper bar, max load 12A	-

Accessories Miniature Relay PT

General Purpose Relays

LED- AND PROTECTION MODULES

FOR PT7872P, PT7874P, PT78722, PT78742, PT78720, PT78730, PT78740

Easy insertion of module into the socket

Wiring in parallel to the coil

Type		Description	Part Number
PTMT00A0	EM09	Protection diode (standard, A1+,A2-)	9-1415036-1
PTMT00L0	EM01	Protection diode (A1-, A2+)	1415037-1
PTMU0524	EM02	RC-network 6...60 VAC	1-1415037-1
PTMU0730	EM03	RC-network 110...230 VAC	2-1415037-1
PTMV0524	EM04	Varistor 24 VAC	3-1415037-1
PTMV0615	EM13	Varistor 115 VAC	6-1415365-1
PTMV0730	EM05	Varistor 230 VAC	4-1415037-1
PTMD0730	EM31	Residual current bypass RC 110...230 VAC	1415037-2
PTMR0730	EM29	Residual current bypass resistor 110...230 VAC	1-1415539-2



LED

Type		Description	Part Number
PTML0024	EM18	Red LED 6...24 VDC w. prot. diode (std, A1+, A2-)	5-1415036-1
PTMG0024	EM12	Green LED 6...24 VDC w. prot. diode (std, A1+, A2-)	2-1415036-1
PTML1024	EM08	Red LED 6...24 VDC w. prot. diode (A1-, A2+)	8-1415036-1
PTML0060	EM16	Red LED 24...60 VDC w. prot. diode (std, A1+, A2-)	5-1415539-3
PTMG0060	EM25	Green LED 24...60 VDC w. prot. diode (std, A1+, A2-)	7-1415539-7
PTML0110	EM19	Red LED 60...110 VDC w. prot. diode (A1+, A2-)	2-1415392-1
PTMG0110	EM26	Green LED 60...110 VDC w. prot. diode (A1+, A2-)	1-1415539-7
PTML0220	EM27	Red LED 110...220 VDC w. prot. diode (A1+, A2-)	1-1415539-4
PTMG0220	EM28	Green LED 110...220 VDC w. prot. diode (A1+, A2-)	1-1415539-6
PTML0524	EM07	Red LED 6...24 VDC/VAC	6-1415036-1
PTMG0524	EM11	Green LED 6...24 VDC/VAC	3-1415036-1
PTML0560	EM14	Red LED 24...60 VDC/VAC	1-1415539-3
PTMG0560	EM30	Green LED 24...60 VDC/VAC	1-1415539-5
PTML0730	EM06	Red LED 110...230 VAC	7-1415036-1
PTMG0730	EM10	Green LED 110...230 VAC	4-1415036-1



RELAY PACKAGES

Complete packages consisting of a relay mounted on a socket: see Relay Package PT

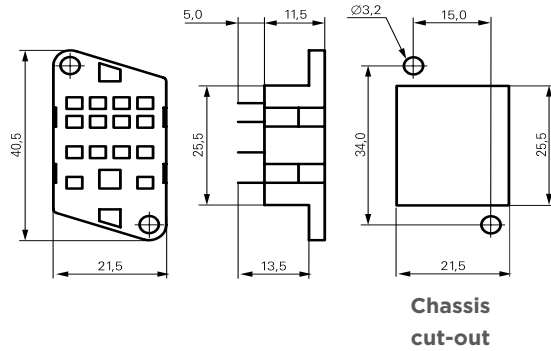
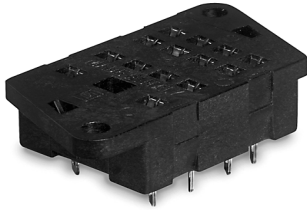
Accessories Miniature Relay PT

General Purpose Relays

PT SOCKETS FOR PCB MOUNT AND WITH SOLDER TERMINALS

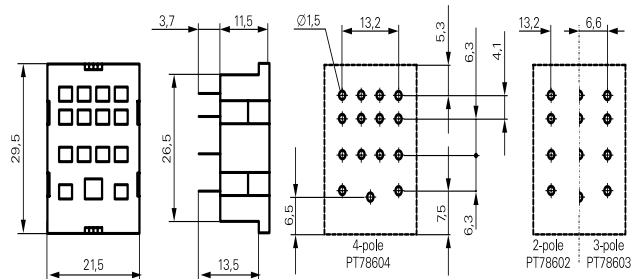
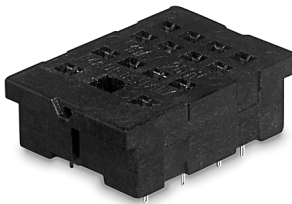
PT78600

socket with solder terminals, 4-pole



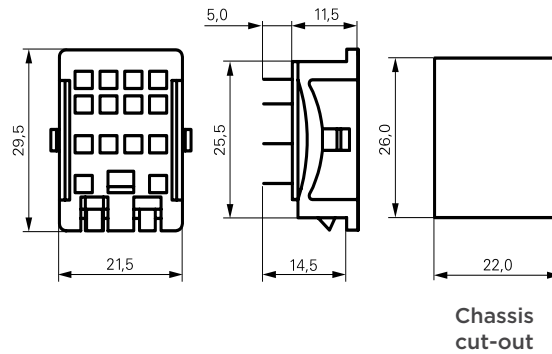
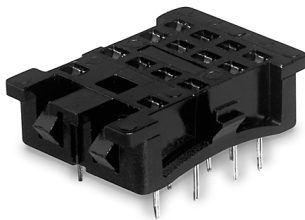
PT78602, PT78603, PT 78604

socket with PCB terminals, 2-, 3- and 4-pole



PT78601

socket with solder terminals, 4-pole



TECHNICAL DATA

	2-pole	3-pole	4-pole
Rated voltage/Max. switching voltage AC	240/400VAC		
Rated current	12 A	10 A	6 A
Dielectric strength			
coil-contact circuit	2500 Vrms	2500 Vrms	2500 Vrms
open contact circuit	1200 Vrms	1200 Vrms	1200 Vrms
adjacent contact circuits	2500 Vrms	2500 Vrms	2000 Vrms
Clearance / creepage			
coil-contact circuit	≥ 4/4 mm	≥ 4/4 mm	≥ 4/4 mm
adjacent contact circuits	≥ 3.5/9.5 mm	≥ 2.6/3.5 mm	≥ 1.8/3.5 mm
Material group of insulation parts	IIIa		
Insulation to IEC 60664-1			
Type of insulation coil-contact circuit	Basic	Basic	Basic
open contact circuit	Functional	Functional	Functional
adjacent contact circuits	Basic	Basic	Functional
Rated insulation voltage	250 V		
Pollution degree	2		
Rated voltage system	230 / 400 V		
Overvoltage category	III		

	2-pole	3-pole	4-pole
Material compliance:	EU RoHS/ELV, China RoHS, REACH, Halogen content refer to the Product Compliance Support Center at www.te.com/customersupport/rohssupportcenter		
Ambient temperature range	-40...+80 °C		
Terminals	pcb, solder terminals		
Insertion cycles	A (10)		
Max. Insertion Force total	100 N		
Mounting distance	≥ 0, dense packing		
Resistance to soldering heat	270°C / 10 s		
Weight	6 g	7 g	7 g
Packaging unit	25 pcs		

PT SOCKETS

Type	Description	Part Number
PT78600	Socket with solder terminals, 4 pole	4-1415043-1
PT78602	Socket with PCB terminals, 2 pole	5-1415043-1
PT78603	Socket with PCB terminals, 3 pole	1393162-5
PT78604	Socket with PCB terminals, 4 pole	3-1415043-1
PT78601	Socket with solder terminals, 4 pole	6-1415043-1

ACCESSORIES

FOR PT78600, PT78601, PT78602, PT78603, PT78604

Type	Description	Part Number
PT28802	Metal retaining clip PT, relay height 29 mm	1393162-1

te.com

©2025 TE Connectivity plc. family of companies. All Rights Reserved.

TE Connectivity, TE connectivity (logo) and Every Connection Counts are trademarks owned or licensed by the TE Connectivity plc. family of companies. All other logos, products and/or company names referred to herein might be trademarks of their respective owners.

While TE has made every reasonable effort to ensure the accuracy of the information in this document, TE does not guarantee that it is error-free, nor does TE make any other representation, warranty or guarantee that the information is accurate, correct, reliable or current. TE reserves the right to make any changes to the information contained herein without prior notice. TE Connectivity assumes only those obligations set forth in the terms and conditions for this product and shall in no event be liable for any incidental, indirect, or consequential damages arising out of the sale, resale, use, or misapplication of the product. TE expressly disclaims any implied warranties with respect to the information contained herein, including, but not limited to, implied warranties of merchantability or fitness for a particular purpose. Dimensions, specifications and/or information contained herein are for reference purposes only and are subject to change without notice. Consult TE for the latest dimensions, specifications and/or information. Users of TE Connectivity products must make their own assessment as to whether the respective product is suitable for the respective desired application.

08/25 ED