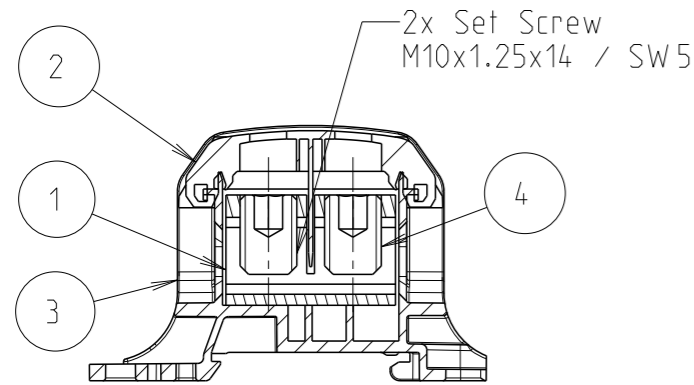
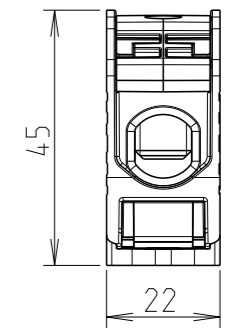
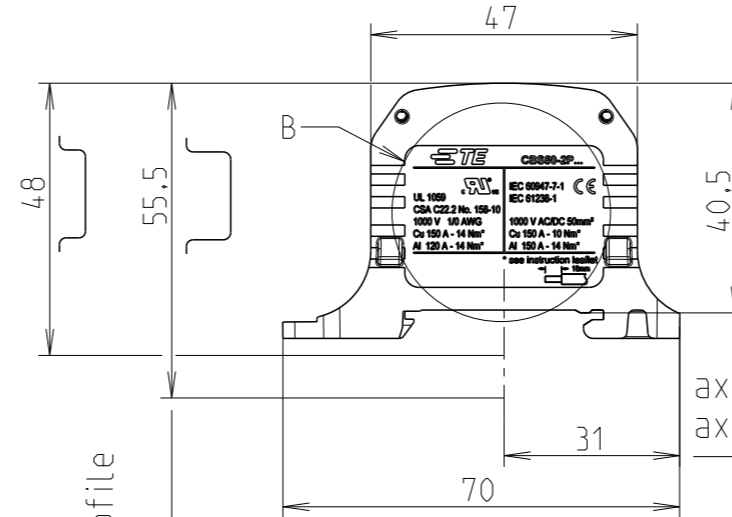
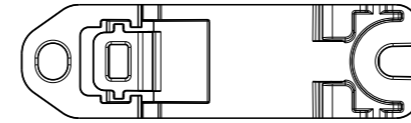


P	LTR	DESCRIPTION	DATE	DWN	APVD
	A	INITIAL REVISION	21JAN2022	PS	SB

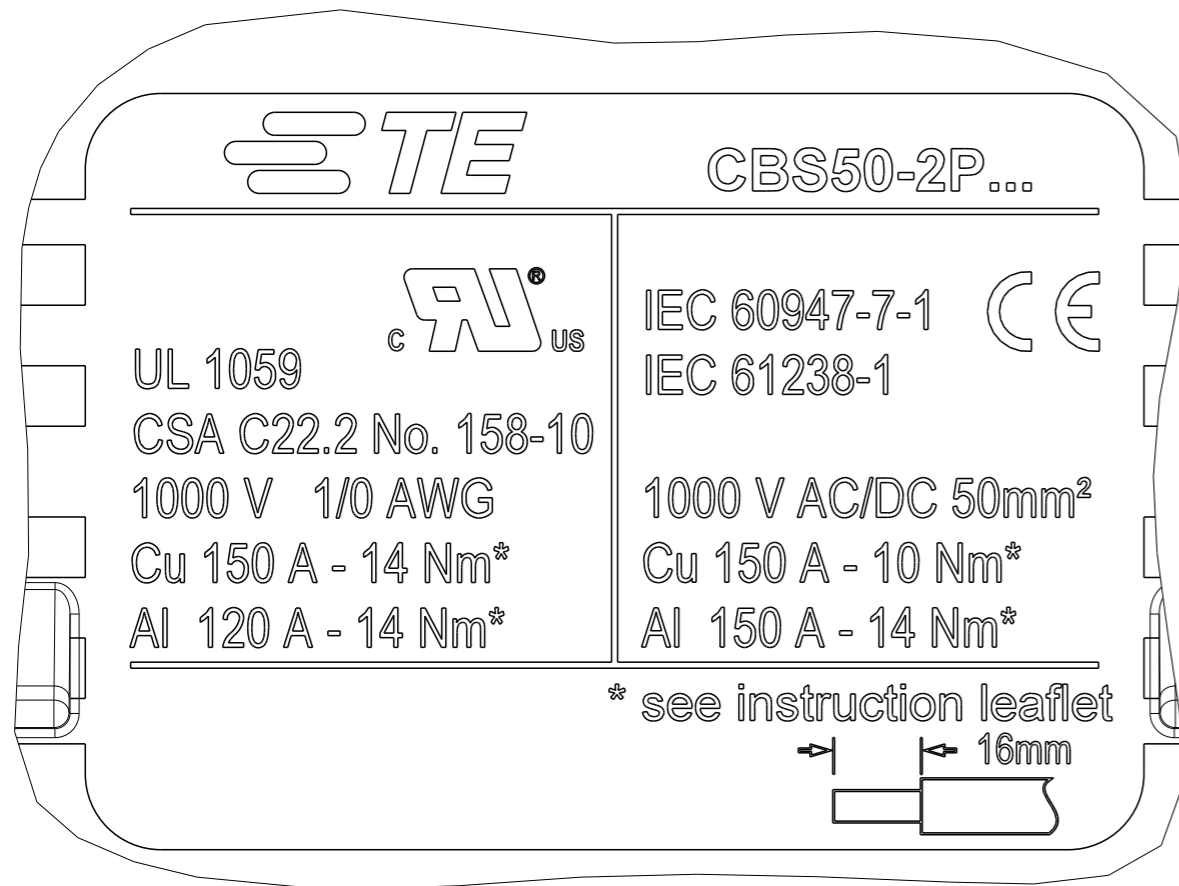
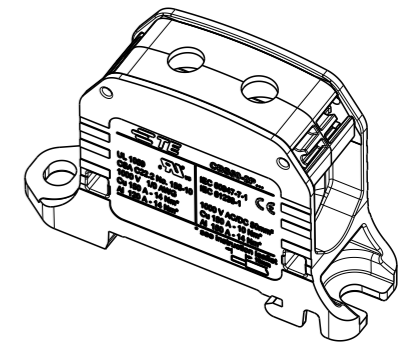
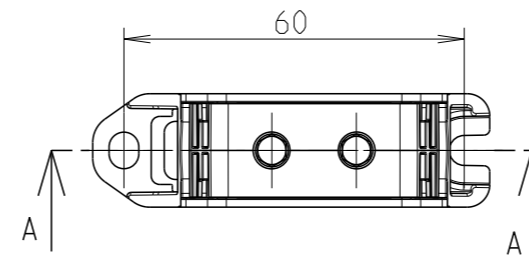


SECTION A-A



axe du profile  
axis of profile

hauteur hors tout sur profile  
overall height on profile



B(4:1)

1SNF516031R0000  
PART NO.

RPT	QTY	DOC TITLE	DESCRIPTION	ITEM NUMBER	COMMENTS
4	2	SET_SCREW_M10X14	SET_SCREW_M10X14	-	
3	1	HOUSING_CBS50_2P	HOUSING_CBS50_2P	-	
2	1	COVER_CBS50_2P_GREEN	COVER_CBS50_2P_GREEN	-	
1	1	ALUMINUM_BLOCK_CBS50_2P	ALUMINUM_BLOCK_CBS50_2P	-	

THIS DRAWING IS A CONTROLLED DOCUMENT.		DWN 2022-01-10 Pavan, Singh	TE Connectivity NAME CBS50-2P-GREEN SIZE A3 CAGE CODE 00779 DRAWING NO C-1SNP300332-0300 RESTRICTED TO -
DIMENSIONS: mm		CHK 2022-01-21 Pavan, Singh	
TOLERANCES UNLESS OTHERWISE SPECIFIED:		APVD 21JAN2022 Saurabh, Bisht	
0 PLC ± 1 PLC ±1 2 PLC ±1 3 PLC ±1 4 PLC ±1 ANGLES ±		PRODUCT SPEC	
MATERIAL		FINISH	APPLICATION SPEC
		WEIGHT	SCALE 3:4 SHEET 1 OF 1 REV B1
CUSTOMER DRAWING			